

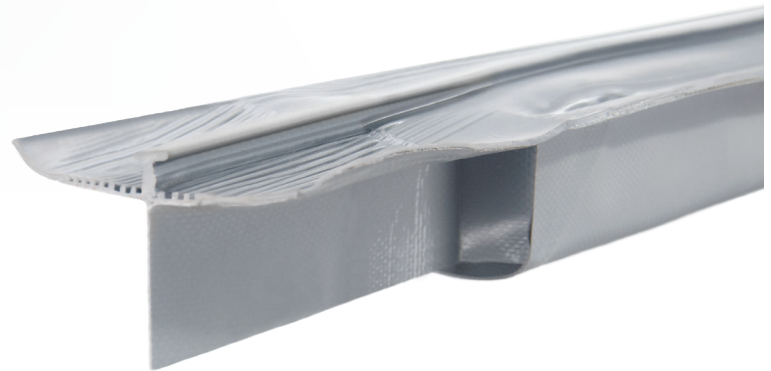
Sensing Edge

MC271



TOUCH SENSITIVE SIGNALING

The MC271 sensing edge is custom manufactured to your exact specifications for length and outlet location. When touched lightly or at an angle, MC271 will send an immediate electrical signal to operator controls to stop, and/or reverse operations. Made with a vinyl wrapping and an extruded T, it is designed to slide into applicable door's bottom retainer. The exterior of the MC271 is highly flexible and can conform to irregularities in the floor.



APPLICATIONS

- Commercial & industrial sectional doors
- Commercial & industrial rolling doors
- Commercial rolling grilles

FEATURES

- Flexible and will conform to floor irregularities
- Optimum size for 2+ inch thick surfaces
- Custom manufactured to user specifications for color, length, and outlet location
- 5 inch end flaps create a complete seal and can be trimmed for custom fit
- Sealed assembly impervious to dust and debris
- Patented Alumaglas™ for superior performance (electric option)
- UL 325 Recognized Component
- 3-year warranty
- Made in USA

610-869-4422
www.milleredge.com





Sensing Edge

MC271

GENERAL SPECIFICATIONS

Color	● Gray, ● Black, ● Yellow
Length	Order in 1/4 in. increments (manufacturing tolerance $\pm 1/4$ in.)
Maximum Length	Electric ⚡: 150 ft.
Sensitivity	Nominal 3-5 lbf
Lead Wire	SJTO, 18 gauge, 2 ft. length
Wire Outlet Location	Right-top, left-top
Electrical Maximum	24 volts AC/DC, 1/2 amp
Electrical Configuration	Normally open
Operating Temperature	Meets or exceeds UL requirement
Exterior Materials	Heavy duty reinforced PVC
Contact Element	Alumaglas™
Agency Approvals	us UL 325 Recognized Component

OPTIONS

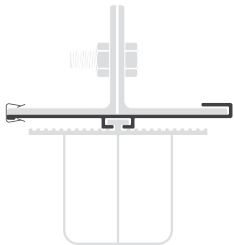
Configurations:

- Monitored
 - 2-Wire ⚡
 - 10K resistor
 - 8.2K resistor
 - Diode capacitor
 - 4-Wire ⚡
- Non-Monitored
 - 2-Wire ⚡

Other Options:

- Coil cord attached
- Extra lead wire

MOUNTING OPTIONS

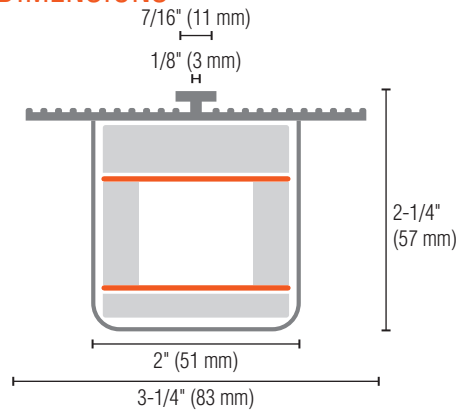


MC271-C7 Mounting Channel
for 2-in. Double-Angle Bottom Bars

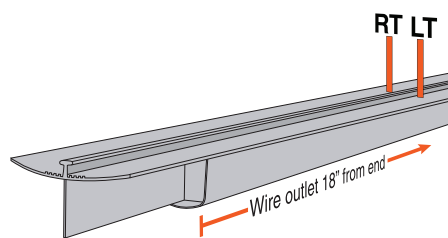


Install on bottom
bar of door

DIMENSIONS



WIRE OUTLET LOCATION



RT: Right-top, LT: Left-top

RELATED PRODUCTS



TRANSMITTERS/RECEIVERS



INTERFACE MODULES



COIL CORDS



RETRACTING REELS



JUNCTION BOXES



EDGE TESTER



Contact Miller Edge to ensure compatibility.

© Miller Edge, Inc. All rights reserved
MC271_spec_20240419