

Monitored Edge Link-II

MEL-II-K10



WIRELESS DOOR EDGE SOLUTION

MEL-II is designed to provide a monitored wireless signal transmission from a sensing edge to operator controls. We've reduced installation time by eliminating the need for coil cords and retracting reels, creating a clean appearance, free of dangling wires. The MEL-II receiver features LED indicators for simplified diagnostics. The MEL-II transmitter is built to endure rugged environments while being powered by two standard AA lithium batteries.



APPLICATIONS

- Motorized doors

FEATURES

- Easy to configure
- Monitored system ideal for commercial door operators manufactured after August 2010
- On-board diagnostics for easy setup/troubleshooting
- Transmitter built to endure rugged environments
- UL 325 Recognized Component
- 2-year warranty

Image:
MEL-II Wireless Edge System:
MEL-II-RX10 receiver +
MEL-II-TX10 transmitter

800-220-3343
www.milleredge.com

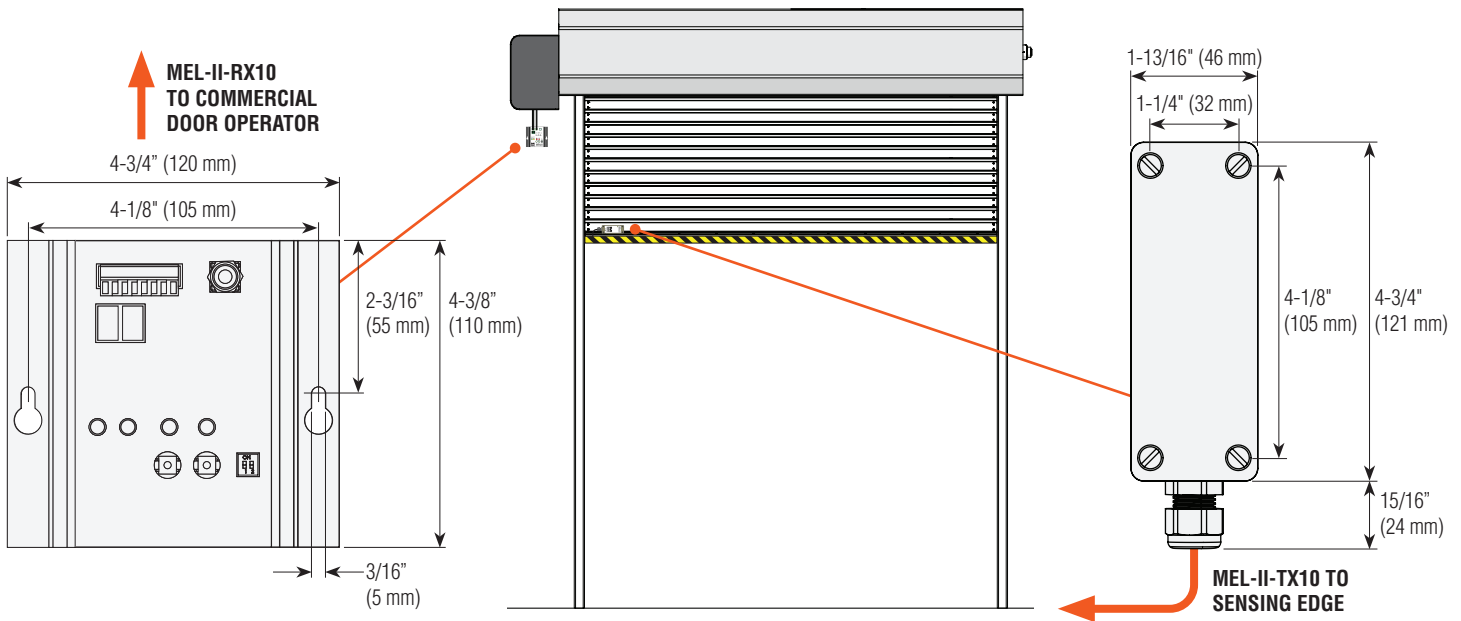
© Miller Edge, Inc. All Rights Reserved





Monitored Edge Link-II

MEL-II-K10



GENERAL SPECIFICATIONS

PERFORMANCE

Response Time	135 milliseconds
Operating Temperature	-40°F to +140°F (-40°C to +60°C)
Frequency	916 MHz
Operating Range	50' (15.25 m) nominal; 100' (30 m) maximum optimal conditions
Agency Approvals	cRU us UL 325 Recognized Component, FC

MEL-II-RX10 RECEIVER

ELECTRICAL

Power Source	12-24 volts AC/DC nominal
Input/Output	Output: 10K, Pulsed, N.O.

PHYSICAL

Dimensions	4-3/4"W x 4-3/8"H x 1-5/16"D (120 x 110 x 33 mm) Antenna: 3-7/8" (99 mm)
Weight	5.25 oz.
Enclosure Material	Steel
TX Low Battery Alert	Low battery LED
LED Indicators	Power, status, channel 1, channel 2
Antenna	External whip antenna with F connector
Degree of Protection	-

MEL-II-TX10 TRANSMITTER

Power Source	(2) AA, 3.6 volts lithium, 2-year expectancy
Input/Output	Input: 10K monitored sensing edge

Dimensions	1-13/16"W x 5-3/4"H x 1-3/4"D (46 x 146 x 44 mm)
Weight	4.5 oz.
Enclosure Material	Polycarbonate
TX Low Battery Alert	-
LED Indicators	Transmit
Antenna	-
Degree of Protection	NEMA 4



Contact Miller Edge to ensure compatibility.

© Miller Edge, Inc. All rights reserved
MELII-K10_20210101