

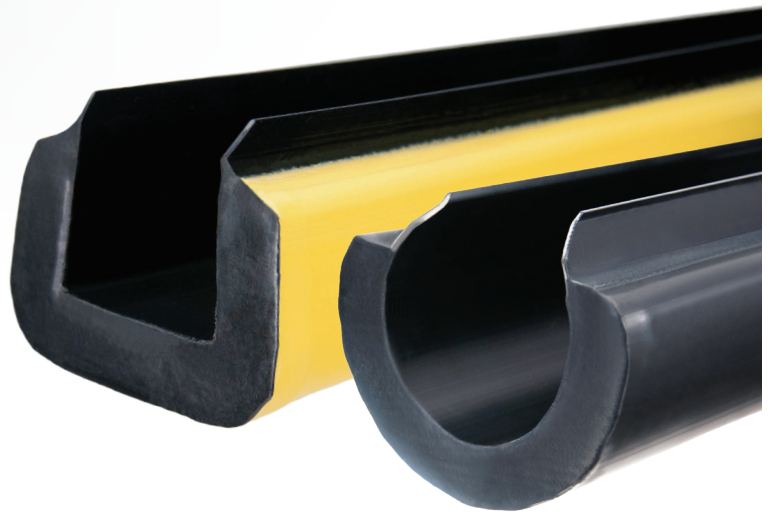
3-Sided Sensing Edge

MGR20, MGS20



3-SIDED TOUCH SENSITIVE SIGNALING

The MGR20 and MGS20 sensing edges offer three-sided activation for an added measure of protection. They directly mount to a 2 inch post by wrapping around the leading edge of a gate; no mounting channel required. MGR20 is designed for round applications and MGS20 is designed for square applications. Both models are custom manufactured to user specifications for color, length, and outlet location.



APPLICATIONS

- Motorized gates
 - Slide gates
 - Swing gates

FEATURES

- 3-sided activation
- Easy to install
- Optimum size for 2 inch gate posts
- No mounting channel needed
- Standard and custom lengths available
- Mounts vertically or horizontally
- Sealed assembly impervious to dust and debris
- Custom manufactured to user specifications for color, length, and outlet location
- Patented Alumaglas™ for superior performance
- UL 325 Recognized Component
- 1-year warranty
- Made in USA

610-869-4422

www.milleredge.com






3-Sided Sensing Edge




MGR20, MGS20

GENERAL SPECIFICATIONS

Color	● Black or ● Yellow
Length	Order in 1/4 in. increments (manufacturing tolerance $\pm 1/4$ in.)
Maximum Length	10 ft. (additional shipping charges apply to lengths over 8 ft.)
Sensitivity	Nominal 4-7 lbf
Lead Wire	SJTO, 18 gauge, 2 ft. length
Wire Outlet Location	Universal, left, or right
Electrical Maximum	24 volts AC/DC, 1/2 amp
Electrical Configuration	Normally open
Operating Temperature	-30 °F to 155 °F (-34 °C to 68 °C)
Exterior Materials	Flexible PVC
Contact Element	Alumaglas™
Agency Approvals	 us UL 325 Recognized Component

OPTIONS

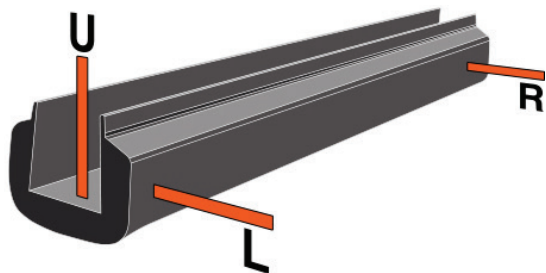
Configurations:

- Monitored
 - 2-Wire 
 - 10K resistor
 - 8.2K resistor
 - Diode capacitor
 - 4-Wire 
- Non-Monitored
 - 2-Wire 

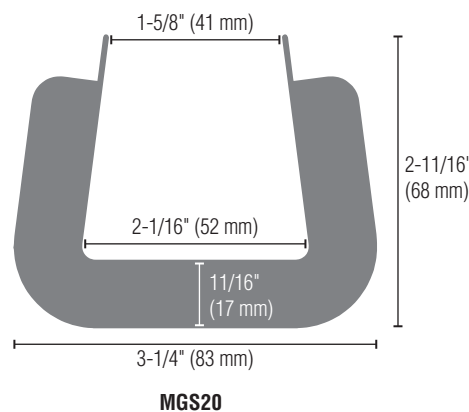
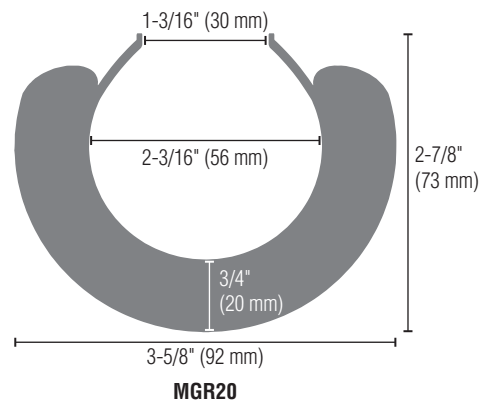
Other Options:

- Length:
 - 4 ft. and 5 ft. lengths conveniently packaged
 - Manufactured to user specifications for length
- 10 ft. lead wire
- Series connect option

WIRE OUTLET LOCATION OPTIONS



DIMENSIONS



RELATED PRODUCTS



TRANSMITTERS/RECEIVERS



INTERFACE MODULES



INTERFACE MODULES



EDGE TESTER

Contact Miller Edge to ensure compatibility.

© Miller Edge, Inc. All rights reserved
MGR20MGS20_20201218