

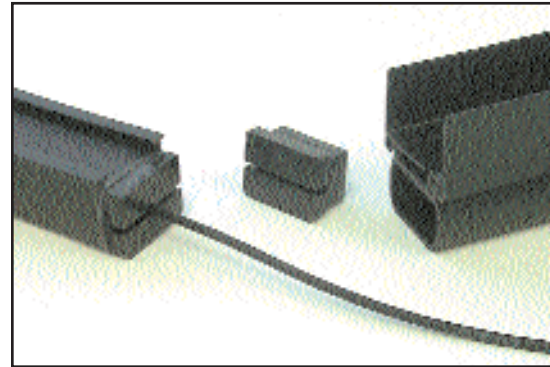
MAW123 SensingEdge



• Sectional Doors • Scissor Lifts • Conveyors • Presses

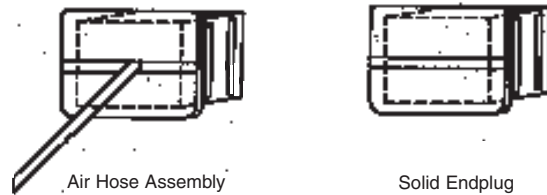
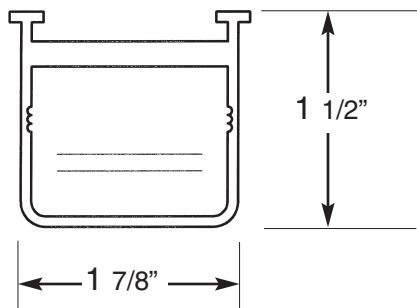
About the MAW123...

This pressure sensitive air-wave edge can be adapted to suit a wide variety of applications. When touch activated, the MAW123 sends an immediate pulse of air through the extrusion to an air-wave switch which, sends a signal to controls to stop and/or reverse operations. The MAW123 SensingEdge has been designed to fit most doors with double track bottom retainers. With appropriate mounting channel, this edge will fit nearly all doors from 1 1/2" to 2" thick. A variety of mounting channels are available for easy installation on machinery applications. The MAW123 is resistant to flame, water, and most common greases and oils.



MAW 123 Extrusion with No-Melt End Plugs

Specifications



MAW 123 No-Melt End Plugs

Sensing Edge

Color: Black

Length: Per specification to nearest 1/4"

Sensitivity: 2mm to 500mm (.078" to 19.7")
water column

Air-Wave Outlet Location: specify right hand,
left hand or end

Sensing Edge: Extruded flexible PVC

Temperature Range: -30°F to +155°F

Air-Wave Switch

Diaphragm: Silicone

Max. Contact Load: .5A/220VAC; 1A/48VDC

Electrical Diagram: 2 wire N.O. contact

Mounting Channel: High-density PVC

Options

- Color: Caution yellow (MAW123Y)
- AW-10, AW-12 or AW-14 Air-Wave Switch
- Mounting Channel Designs (see side 2)
- Left, Right, End, or Universal Air-Wave outlet

Installation

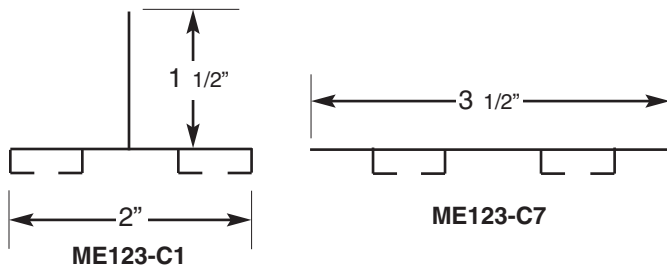
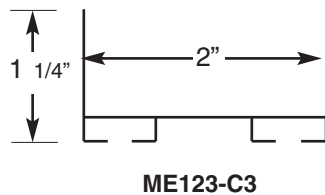
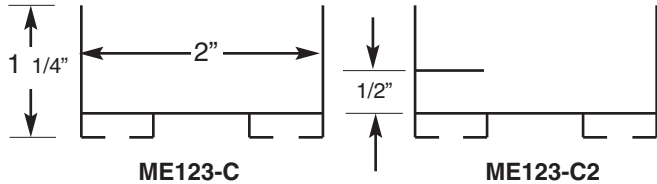
Slide MAW123 SensingEdge into proper channel. To attach mounting channel, place in desired location. Drill 1/8" holes through channel and into mounting surface. Secure with screws.

REV. 1-31-05

SensingEdge



Mounting Channel Options



Warranty

We will replace within one year of shipment from our factory, any SensingEdge subject to normal use which is found to have defective materials or workmanship, as determined solely by our factory representative. Replacements will be shipped to you freight collect. This warrant is void where evidence of misuse or abuse is present.

Notes

Care of the ME123...

Minimal care is required for the MAW123 since it is manufactured with only the most durable materials and the highest quality control standards. However, SensingEdges must be examined once per month for cuts or punctures which could damage internal components. With the SensingEdge attached and the door open place a 1" thick wood block on the floor in the door's path at approximately the center of the door. Activate the opener. The door opener must reverse and open the door when it comes in contact with the wood. If it does not, a qualified technician must adjust, repair, or replace the necessary parts. Check wiring to be sure connections are secure. Check reversing mechanism often to assure integrity of operations. When properly maintained, the MAW 123 offers years of trouble free operations.

Contact MillerEdge to ensure compatibility with your operating controls. U.S. Patent #4,396,814 Canadian Patent #1,048,066. Other Patents apply.

MILLER EDGE, INC. • P.O. Box 159 • West Grove, PA 19390 • (610)869-4422 • Fax: (610)869-4423 • 800-220-3343 • www.milleredge.com
MILLER EDGE, INC. • 6809 South Harl Avenue, Suite A, Tempe, AZ 85283 • (480)755-3565 • Fax (480)755-3558 • 800-887-3343