

"NEW - Pre-Wired" Patriot Telescopic



Non-Contact Photo Optic Edge Sensor Installation Instructions

The Patriot Photo-Optic edge sensor is designed to transmit an infrared light beam from an emitter to a receiver housed below the bottom edge of the door. The emitting and receiving "eyes" plug into the bottom of the retracting legs. If the beam is interrupted by such, as when an object or person is below the door, the control unit signals the door operator to stop and/or reverse.

PARTS LIST



PART NUMBER	DESCRIPTION	QUANTITY
MIR-T1	CONTROL UNIT W/EYES, 2 LENS HOLDERS w/LENS, 2 DOOR BRACKETS	1
* MIRCUCU-01	CONTROL UNIT, NEMA 4	1
* MIRR-01	ASSEMBLY, CABLE W/RECEIVING EYE	1
* MIRE-01	ASSEMBLY, CABLE W/EMITTING EYE	1
* MIR-LH	SET OF 2 LENS HOLDERS FOR EYES	1
* MIR-BRKT	SET OF 2 DOOR MOUNTING BRACKETS	1
* C224-15B	COIL CORD, 22 AWG, 4 WIRE 15 FT. EXT.	1
* JB-02Z	JUNCTION BOX, METAL W/COVER & CONDUIT FITTINGS, TERMINAL BLOCK, & CABLE CLAMPS	1
* 212-62	CONVEX LENS	2

* Indicates components included in the MIR-T1 Kit

Easy Step-by-Step Assembly Instructions

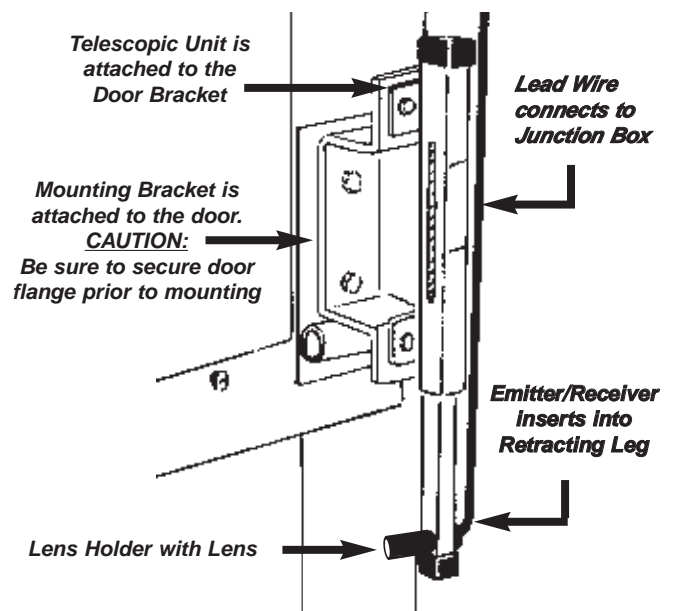
- 1- Secure the existing door flange prior to mounting the unit.
- 2- Install the Door Mounting Bracket as shown in Diagram #1.
- 3- Mount the Telescopic Unit to the Door Bracket as shown in Diagram#1.

NOTE: The Emitter Eye should be located at the end farthest from the operator.

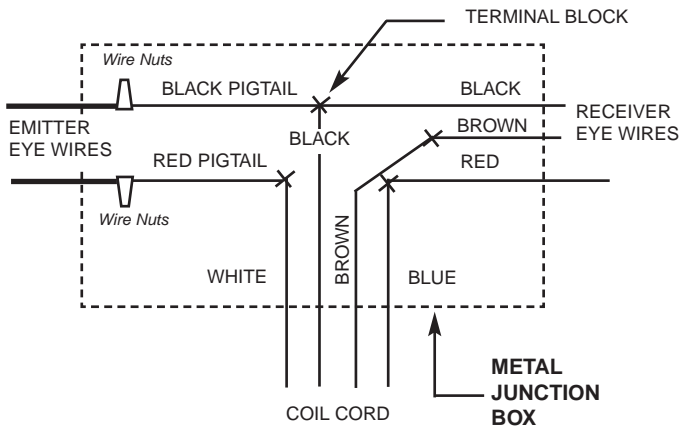
The Receiver Eye should be located at the end closest to the operator.

- 4- Install the junction box on the bottom of the door with screws, on the same side as the operator .
- 5- Wire the Emitter to the Junction Box as shown in Diagram #-2. Run wire across width of the door to the junction box. Connect the Red and Black wires to the same color pigtails inside the junction box with grey wire nuts.
- 6- Mount the Control Unit on the wall approximately 5ft. up the wall.
- 7- Wire the Control Unit to the Operator using the black/grey terminal block shown in Diagram #3.

Diagram #1



**Junction Box Easy Reference
Wiring Diagram #2**



EASY WIRING CONNECTIONS

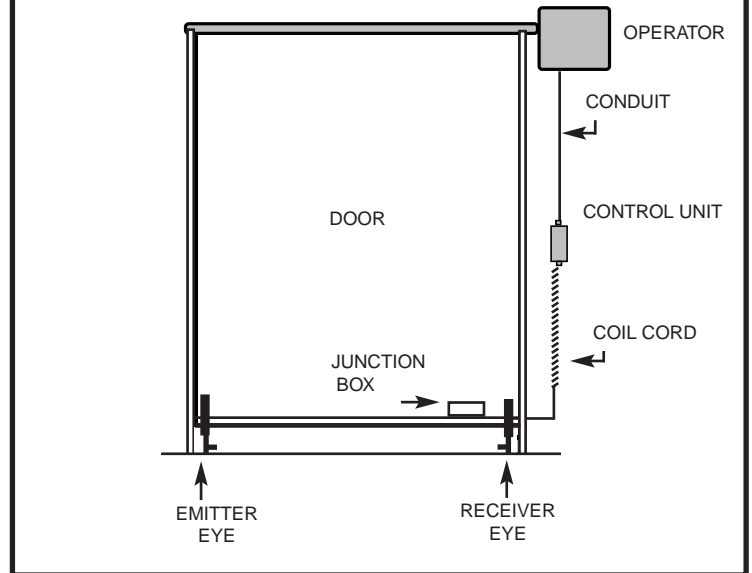
Emitter Eye Wiring:

(2 Conductor Black Lead Wire)
BLACK wire to BLACK wire
RED wire to RED wire

Control Unit Wiring:

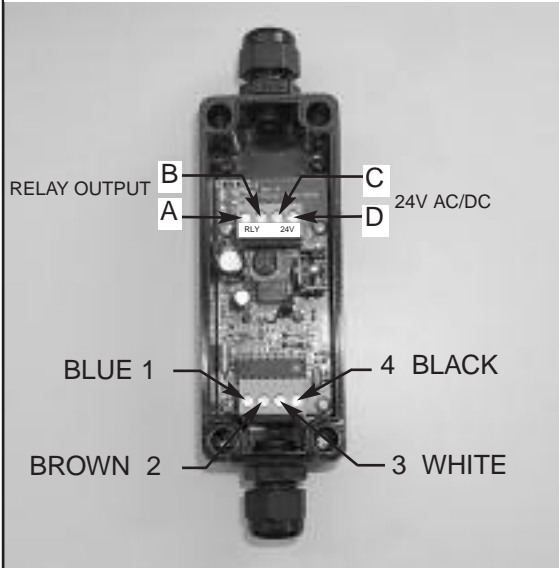
A,B,C,D - Require Installer Connections
1,2,3,4 - Pre-Wired Factory Connections

**Photo-Eye / Door Assembly Configuration
with Junction Box**



NOTE: Door overtravel may vary due to the operator being used
Reference operator manufacturer specifications.

Control Unit Wiring Diagram #3



LED OPERATION STATUS / DIAGNOSTICS

LED COLOR	OK STATUS	FAULT	FIX
RED	OFF=RELAY OPEN	ON=RELAY CLOSED	
YELLOW	OFF	ON=BROKEN WIRE or EYE	REPLACE EYES
GREEN	FLASHING	OFF=NO 24VAC or DEFECTIVE CHIP	VERIFY POWER, IF OK REPLACE CONTROL UNIT

NOTE: LED indicators are located on the board inside the Control Unit

NOTE: DO NOT drill any holes in the transmitter box. Use only mounting holes provided, any additional holes in control unit will cause water to enter and a loss of warranty.

