

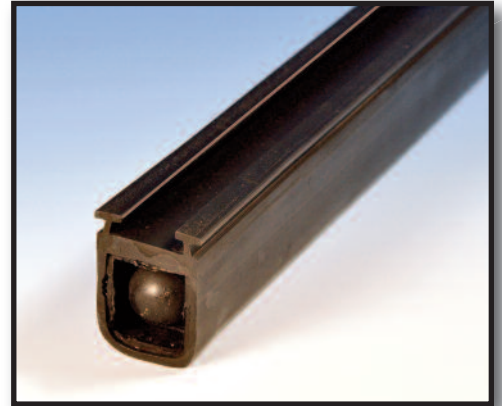
SensingEdge

Applications

- **High Temperature Edge**
- **Ovens**
- **Sterilizers**

About the ME103...

This touch sensitive switch can be adapted to suit a wide variety of applications. It is manufactured to user specifications for length and outlet location. When touch activated, the ME103 sends an immediate signal to stop, start or reverse operations depending upon your particular application. Mounting channel design allows for easy installation on nearly any surface.



OPTIONS:

- 4 wire configuration
- Soft ends
- Coil Cord attached
- 4-wire intrinsically safe control panel (FSIS-35-4)
- 2-wire terminated

TECHNICAL SPECIFICATIONS:

Color:	Black
Length:	per specification to nearest 1/4"
Max. Length	Up to 14 feet (over 8' requires waiver & LTL shipment)
Lead Wire:	SJTO, 22 gauge, 2ft. length
Sensitivity:	nominal 3-5 lbf
Electrical Diagram:	2 wire N.O. configuration
Electrical Maximum:	24 volt AC or DC, 1/2 amp
Mechanical Diagram:	See drawings on reverse side
Contact Element:	Alumaglas®
Materials:	Neoprene
Mounting Channel:	Aluminum ME103-C9
Temperature Range:	-30°F to +212°F
Wire Outlet Location:	Right side or Left side

FUNCTIONAL BENEFITS:

- Touch Sensitive Signalling
- Easy to Install
- Mounts Vertically or Horizontally
- High Temperature Applications



Model # ME103

SensingEdge

Installation

Slide the ME103 Sensing Edge into the proper channel. To attach mounting channel, place in desired location. Drill 1/8" holes through channel and into mounting surface. Secure with screws.

Note: For safe operation, use a maximum 24 volt, 1/2 amp AC or DC power. For detailed installation and wiring instructions, contact Miller Edge, Inc.

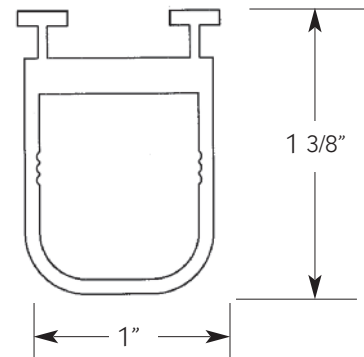
Care of the ME103. . .

Minimal care is required for the ME103 since it is manufactured with only the most durable materials and the highest quality control standards. However, Sensing Edges should be examined regularly for cuts or punctures which could damage internal components. Check wiring to be sure connections are secure. When properly maintained, the ME103 offers years of trouble free operations.

Warranty

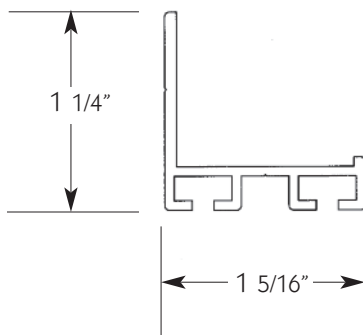
We will replace within one year of shipment from our factory, any Sensing Edge subject to normal use which is found to have defective materials or workmanship, as determined solely by our factory representative. Replacements will be shipped to you freight collect. This warranty is void where evidence of misuse or abuse is present.

Mechanical Diagrams:



Mounting Channels:

ME103-C9 Aluminum



Contact Miller Edge to ensure compatibility with your operating controls.
U.S. Patent #5,962,825 & #8,832,996 B2 CAN. Patent #2,008,021

ME103_Spec_20150220

P.O. Box 159 • West Grove, PA 19390 • (610)869-4422 • Fax: (610)869-4423 • 800-220-3343
6809 South Harl Avenue, Suite A, Tempe, AZ 85283 • (480)755-3565 • Fax (480)755-3558 • 800-887-3343
www.milleredge.com